

NOTES

PCB: JM80
 V1,2: ECC83, filament supply shown on power stage diagram.

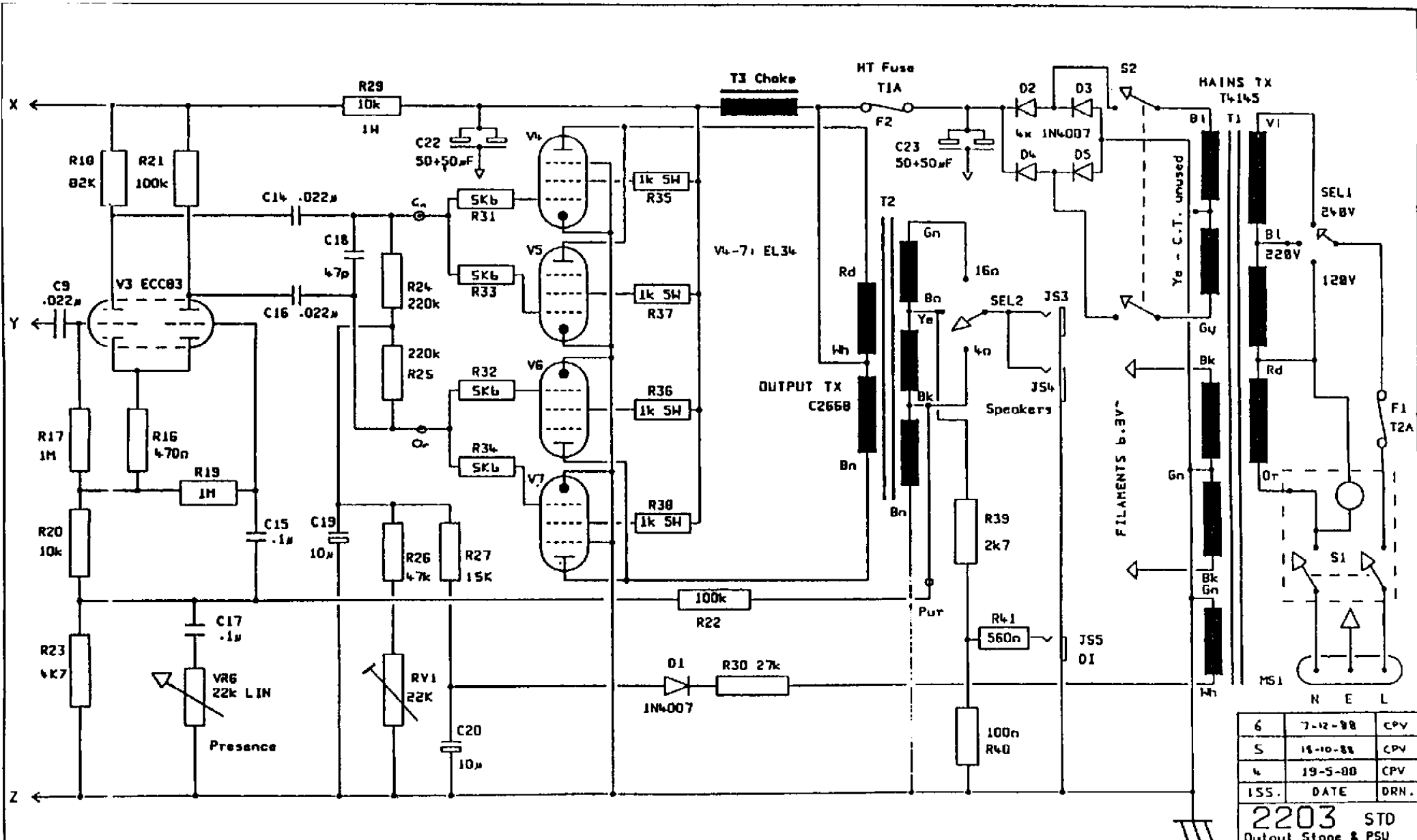
4	19-5-88	CPV
ISS. DATE		DRN.
DRAWING NUMBER		

2203 STD
 Preamp

MARSHALL

JIM MARSHALL
 PRODUCTS LTD.
 BLETCHLEY
 MILTON KEYNES
 ENGLAND
 File: 2203PRE.00M





6	7-12-98	CPV
5	18-10-88	CPV
4	19-5-80	CPV
ISS.	DATE	DRN.

2203 STD
Output Stage & PSU

MARSHALL

JIM MARSHALL
PRODUCTS LTD.
BLETCHLEY
HILTON KEYNES
ENGLAND

