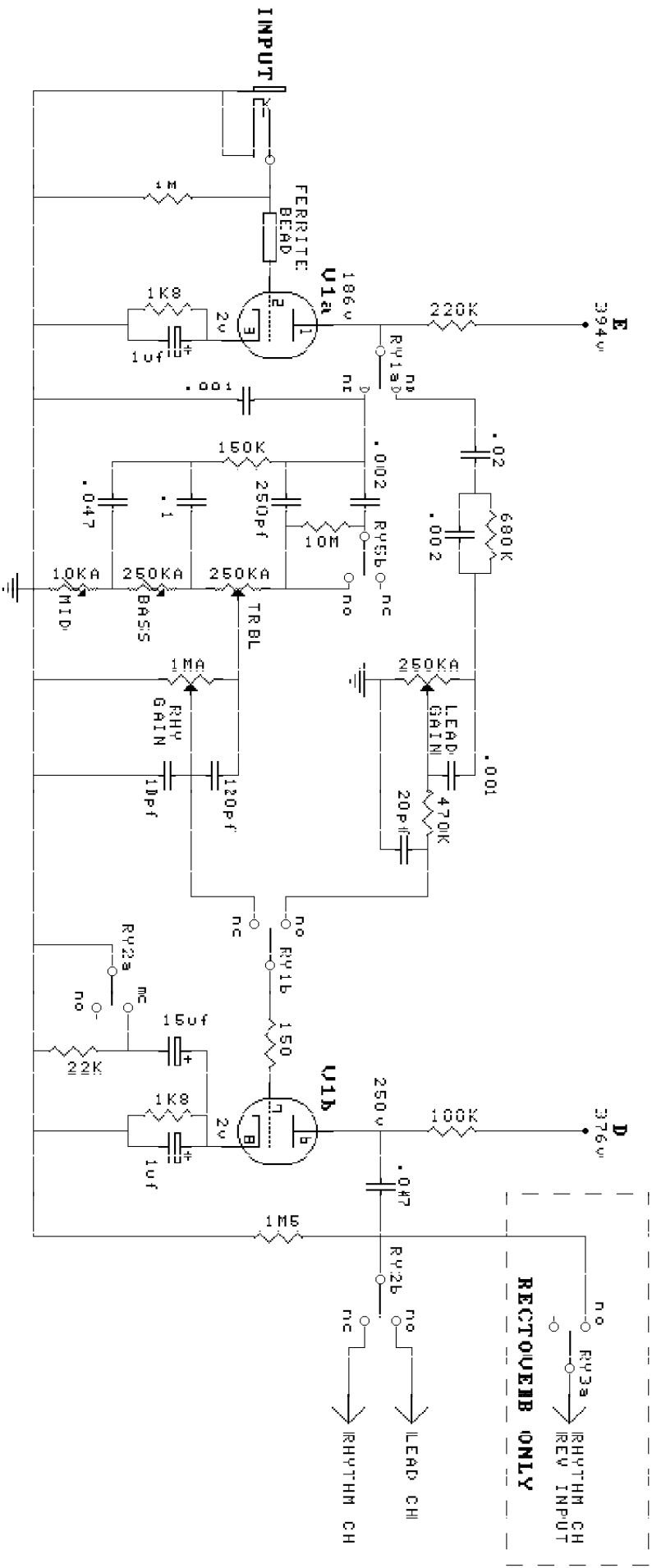


NE511-BUBBLE SOLID SO/RECOVERIB

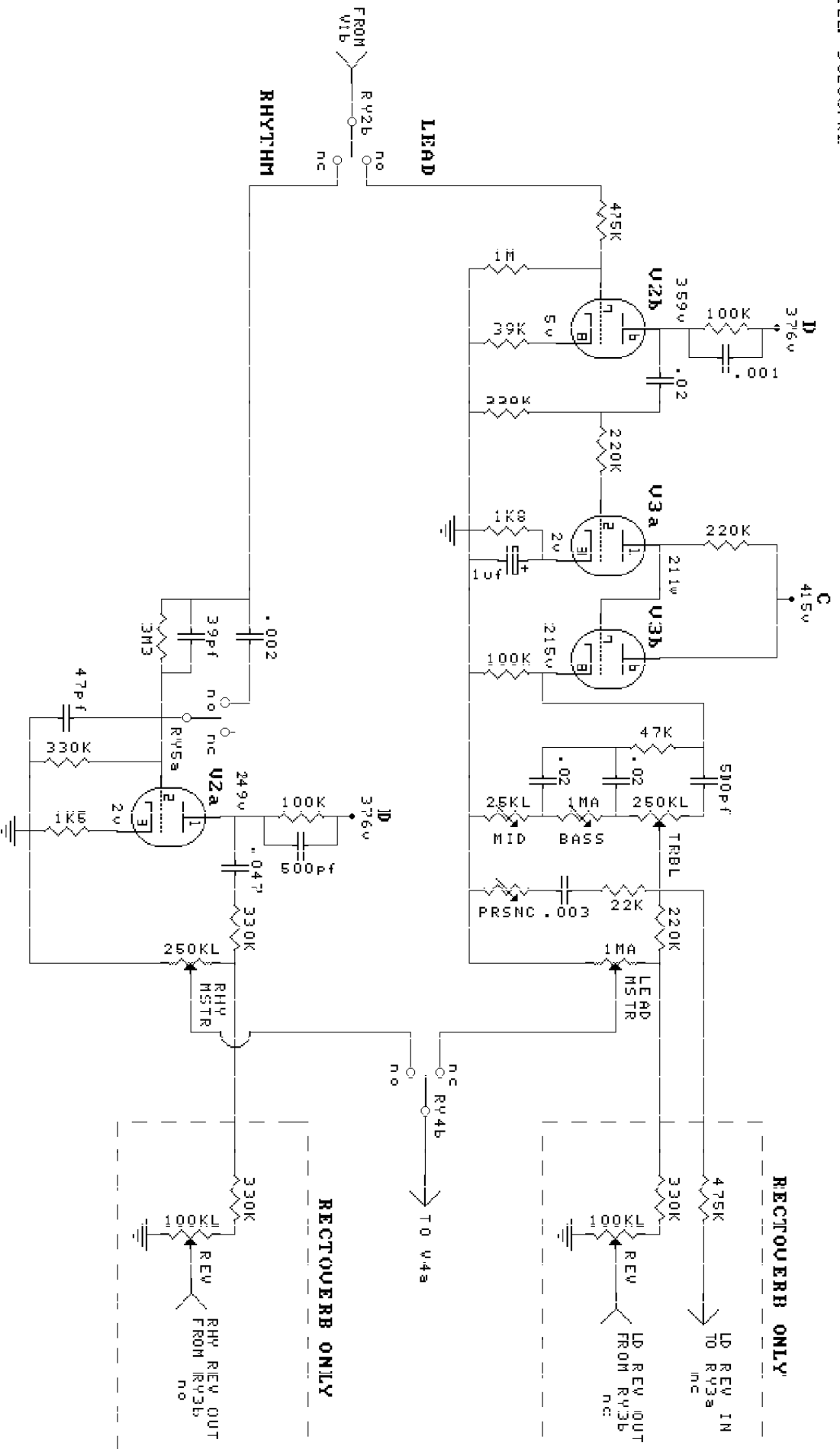
PREAMP PRT. 1

FILE: SOL50PRE.501



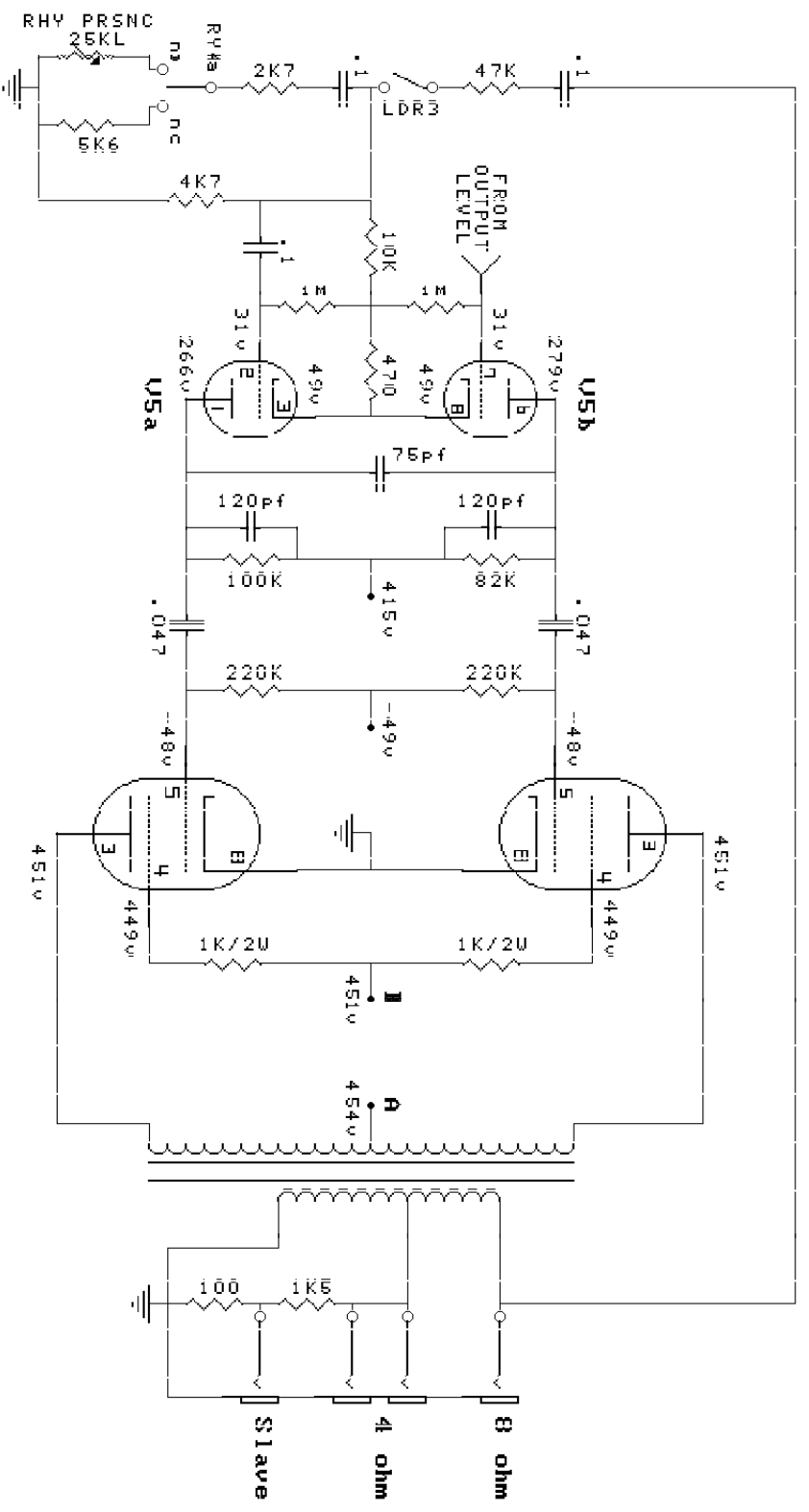
MESSH-BUUG 1E
\$OLO \$O/RECTOUERB

PREAMP PT. 2
FILE: SOL50PR2



MESH-BUILD SOLO 50 / RECTOUEERB

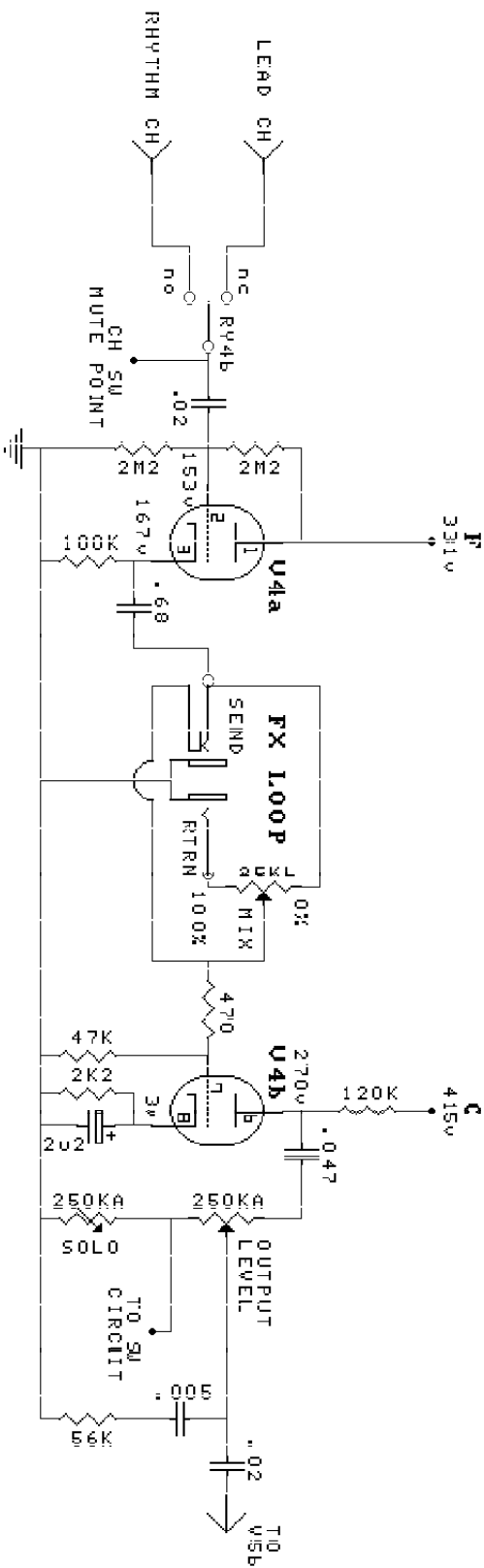
POWER AMP
FILE: SOL50PWR.S01



MESA-BUOGIE SOLD SO/RECTOVERB

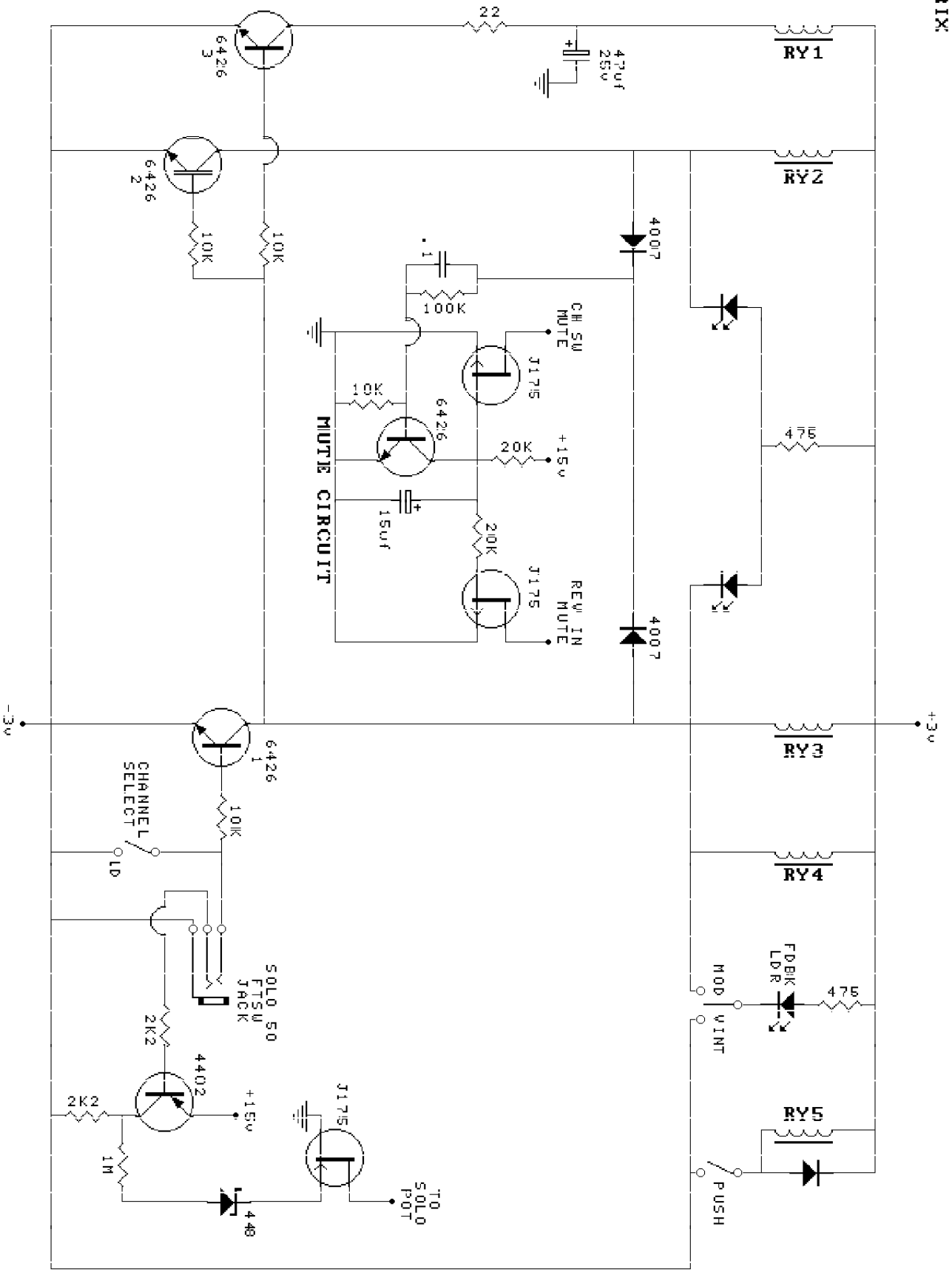
FX 100P

FILE SOL50FX.501

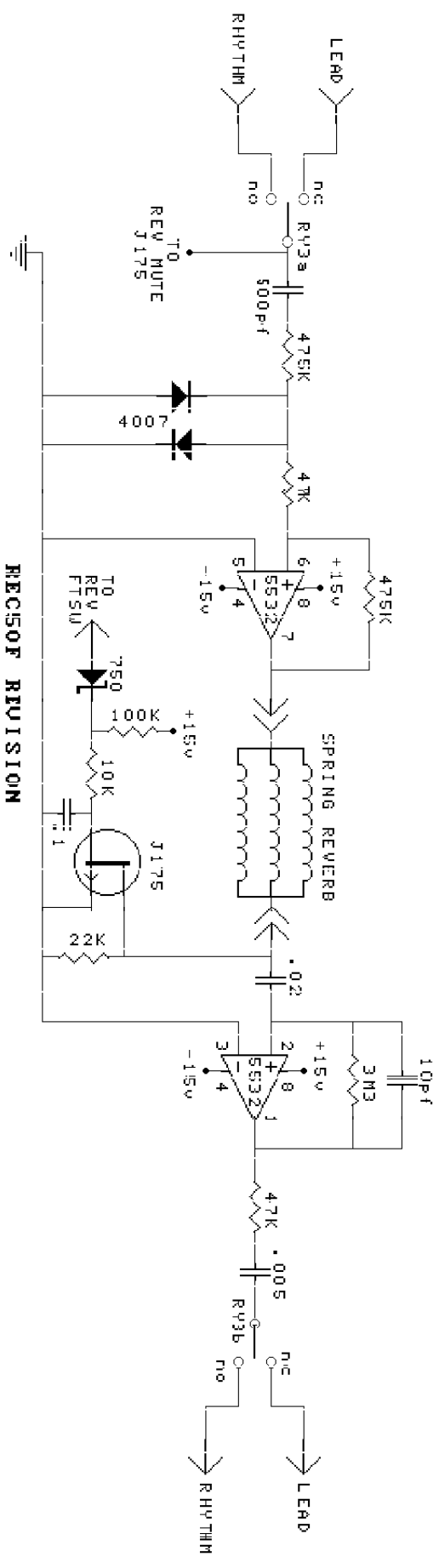
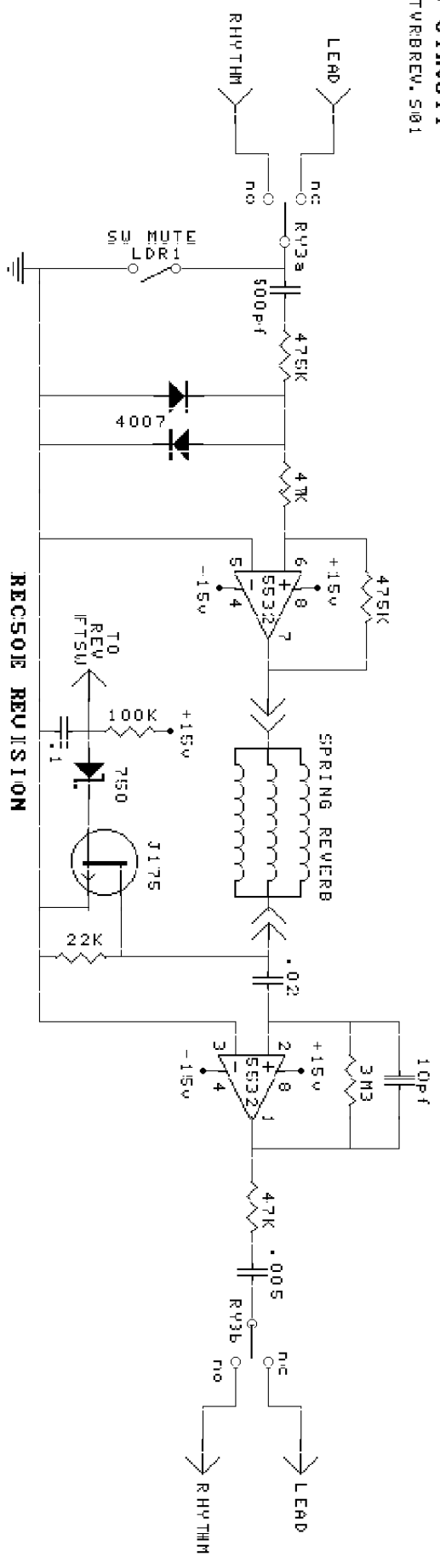


SOLO 50 / REC'TOUE RB

SWITCHING MATRIX
FILE SOL50SW.S01



THE SH-BUUGLE REVERB CIRCUIT FILE ROTWRBREV.S01



MESA-BOOGIE SOLO 50

POWER SUPPLIES
FILE REC50SUPP.S01

