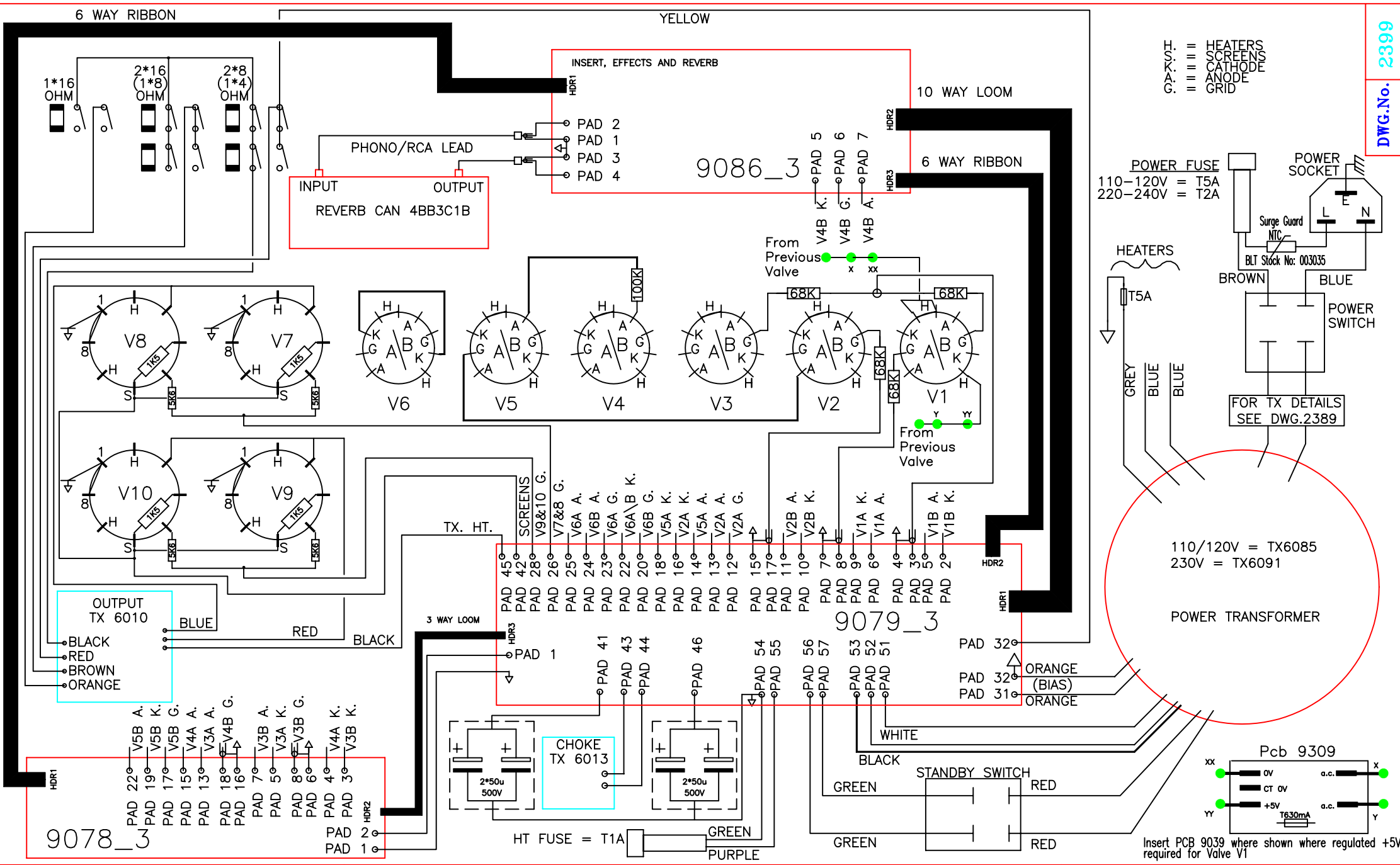
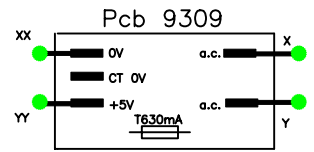
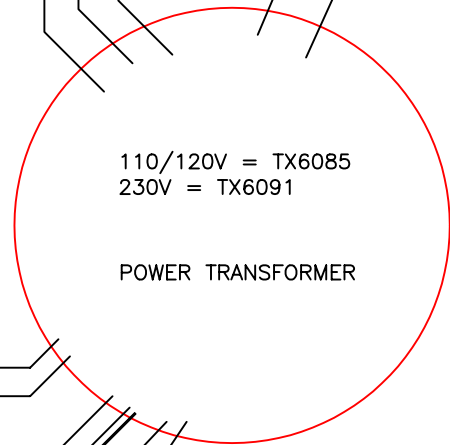
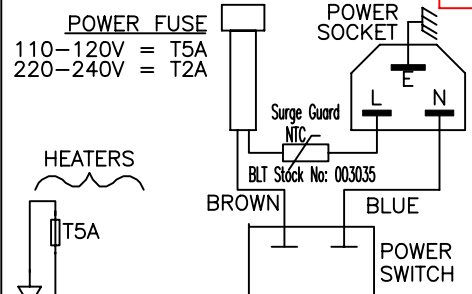


Laney

Service Diagrams



H. = HEATERS
 S. = SCREENS
 K. = CATHODE
 A. = ANODE
 G. = GRID



Insert PCB 9039 where shown where regulated +5V required for Valve V1

DWG.No. 2399

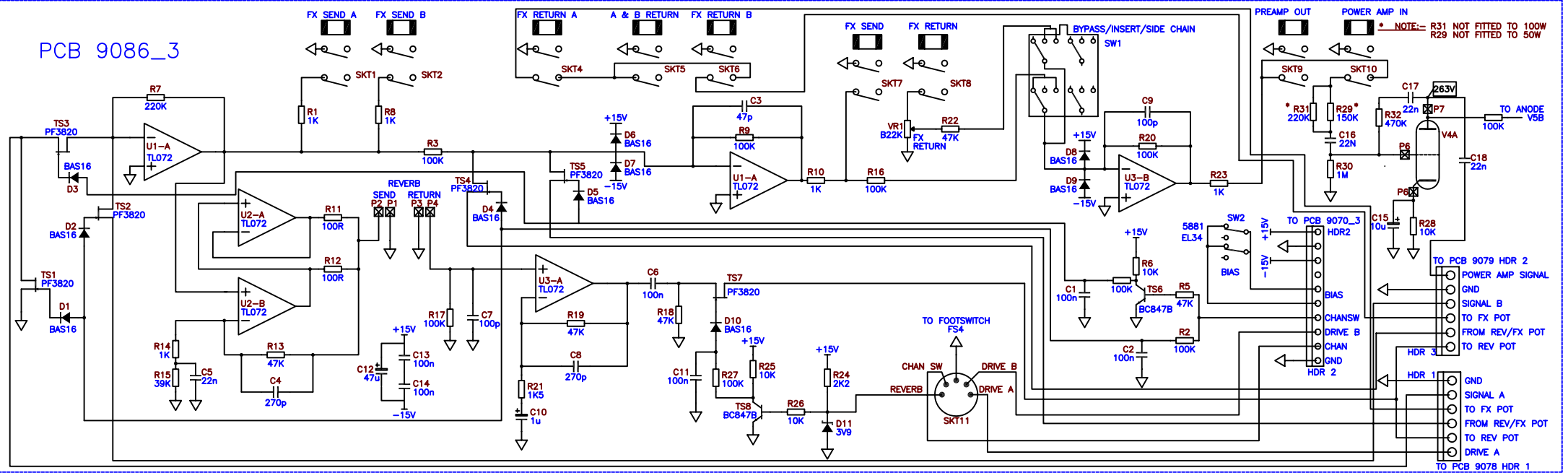
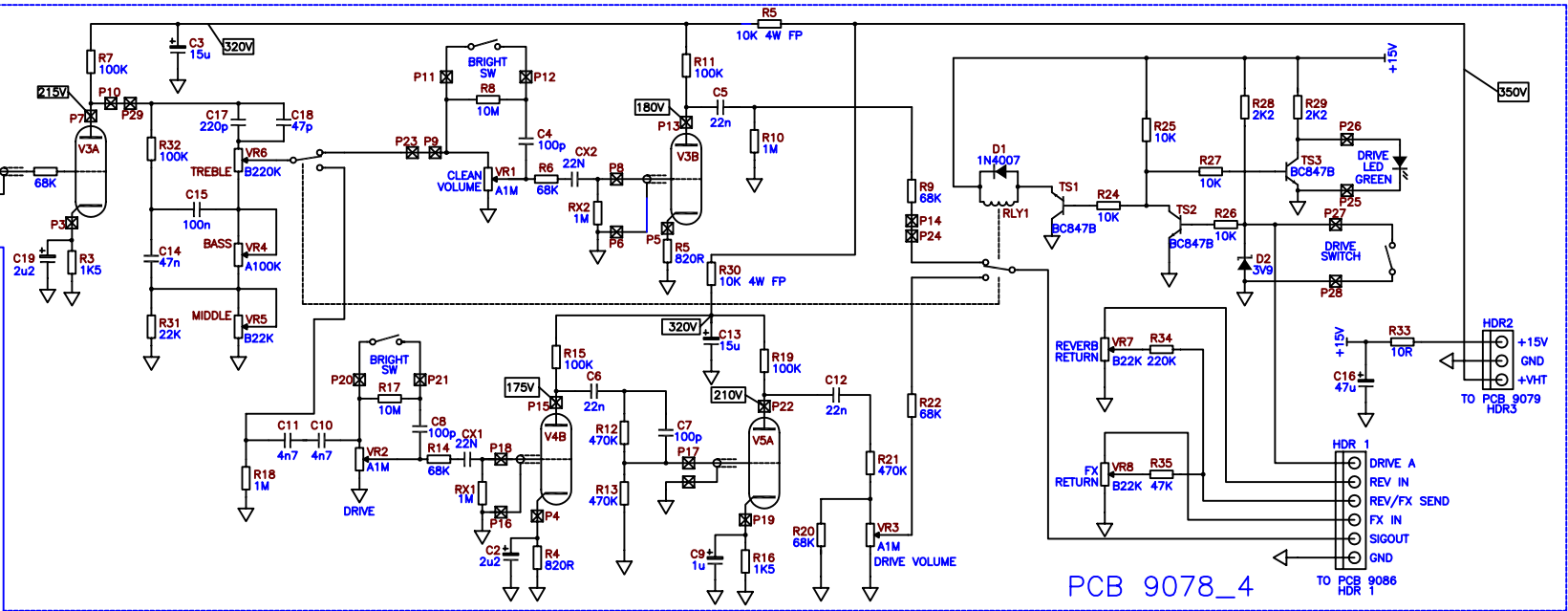
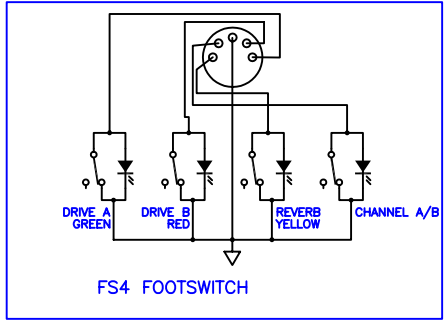
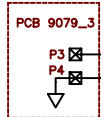
ISSUE	DESCRIPTION	APPD.	DATE
2	Option added for regulated +5V Supply 6086 to 6091 (230V primary) Fuse added in CT ground of heaters	R.J.F	8/10/98

LANEY

VH100R SCHEMATIC
DIAGRAM
 PART No

DRAWN	TRACED	CHECKED	APPROVED	DATE
S.L.				05/06/95
DRAWING No.		2399		

- V3 V4 V5 V6 V7 V8 V9 V10
 ○ ○ ○ ○ ○ ○ ○ ○ ○ ○
 ○ ○ V1 - 6 = ECC83
 V1 V2 V7 - 10 = 5881
 VALVES V9 & V10 ONLY FITTED ON 100W MODELS

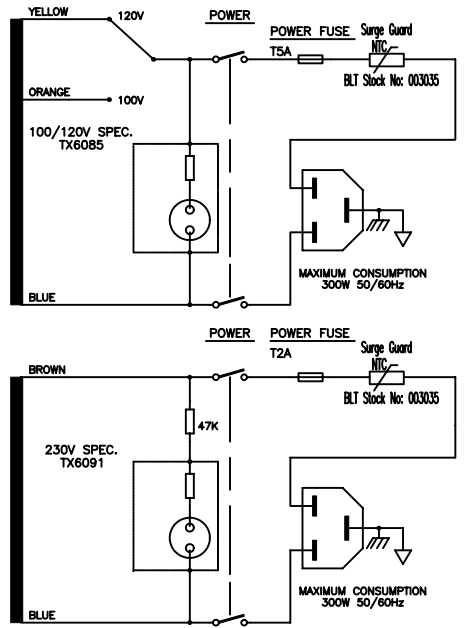
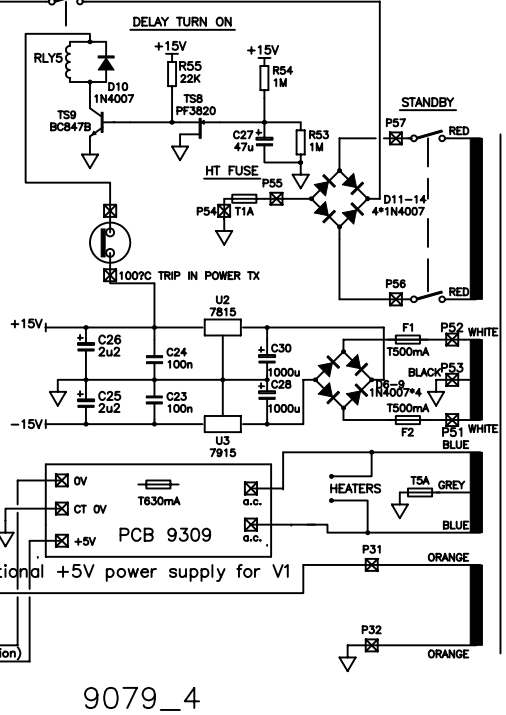
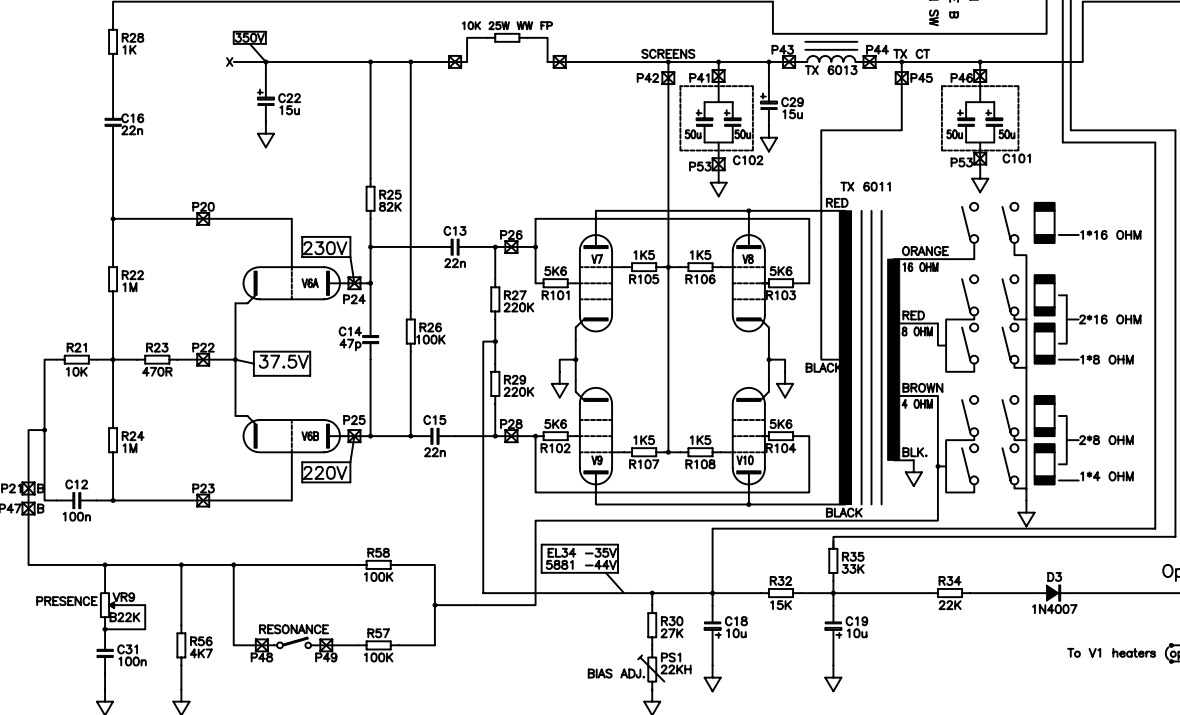
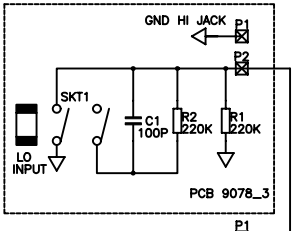
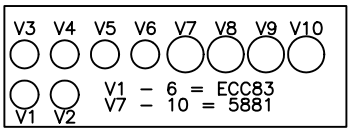


ISSUE	DESCRIPTION	APPD.	DATE
4	CHANGE R5 & 30 FROM 10K 1W TO 10K 4W FP	S.L.	14/5/95
4	Added CX1, CX2, RX1, RX2. See CN0343	R.S.T	21/04/04

LANEY

**VC50/VC100/VH100R
 CLEAN & FX CIRCUIT**
 PART No

DRAWN	TRACED	CHECKED	APPROVED	DATE
S.L.				14/5/95
DRAWING No.			2386	



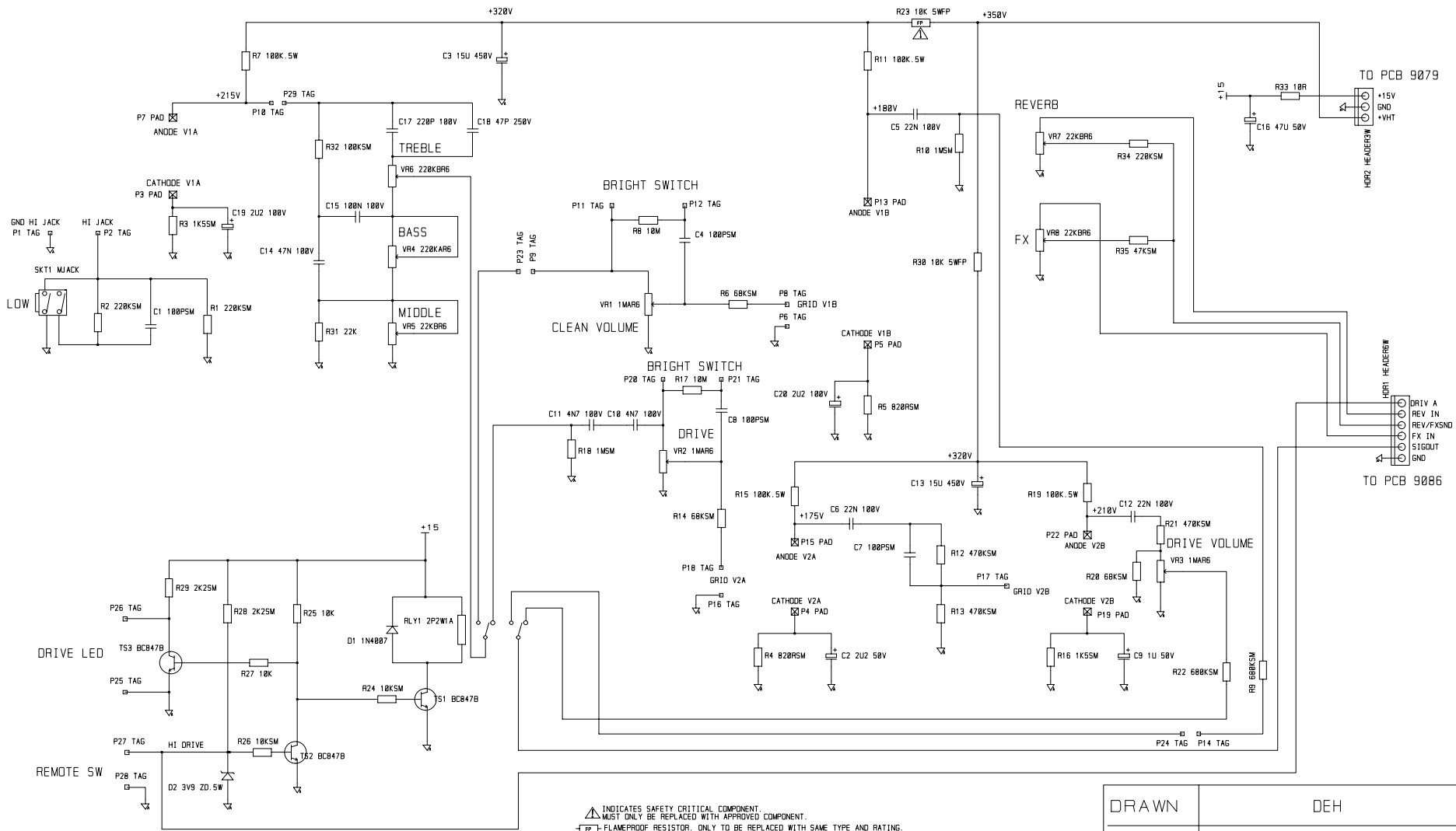
9079_4

ISSUE	DESCRIPTION	APPD.	DATE
4	CHANGE R46 & R41 FROM 2 OFF 22K TO A SINGLE 10K 25W FIRE PROOF CHANGE R14 & 23 FROM 10K 1W TO 10K 4W FIRE PROOF ADD 1000C TRIP TO POWER TX ADD F1 & 2 AS T500mA ADD 2CHASSIS MOUNT FUSE CARRIERS WITH TSA TO HEATER WINDINGS CHANGE POWER TX FROM 6086 TO 6091 230V Option added for regulated +5V supply for V1, dependent on valve type	S.L.	14/9/95
5		R.J.F	5/10/98
6	SG64 Surge Guard added to primary of mains transformer.	RT	21/11/01

LANEY

TITLE
VH100R OVERDRIVE & OUTPUT DIAGRAM
 PART No

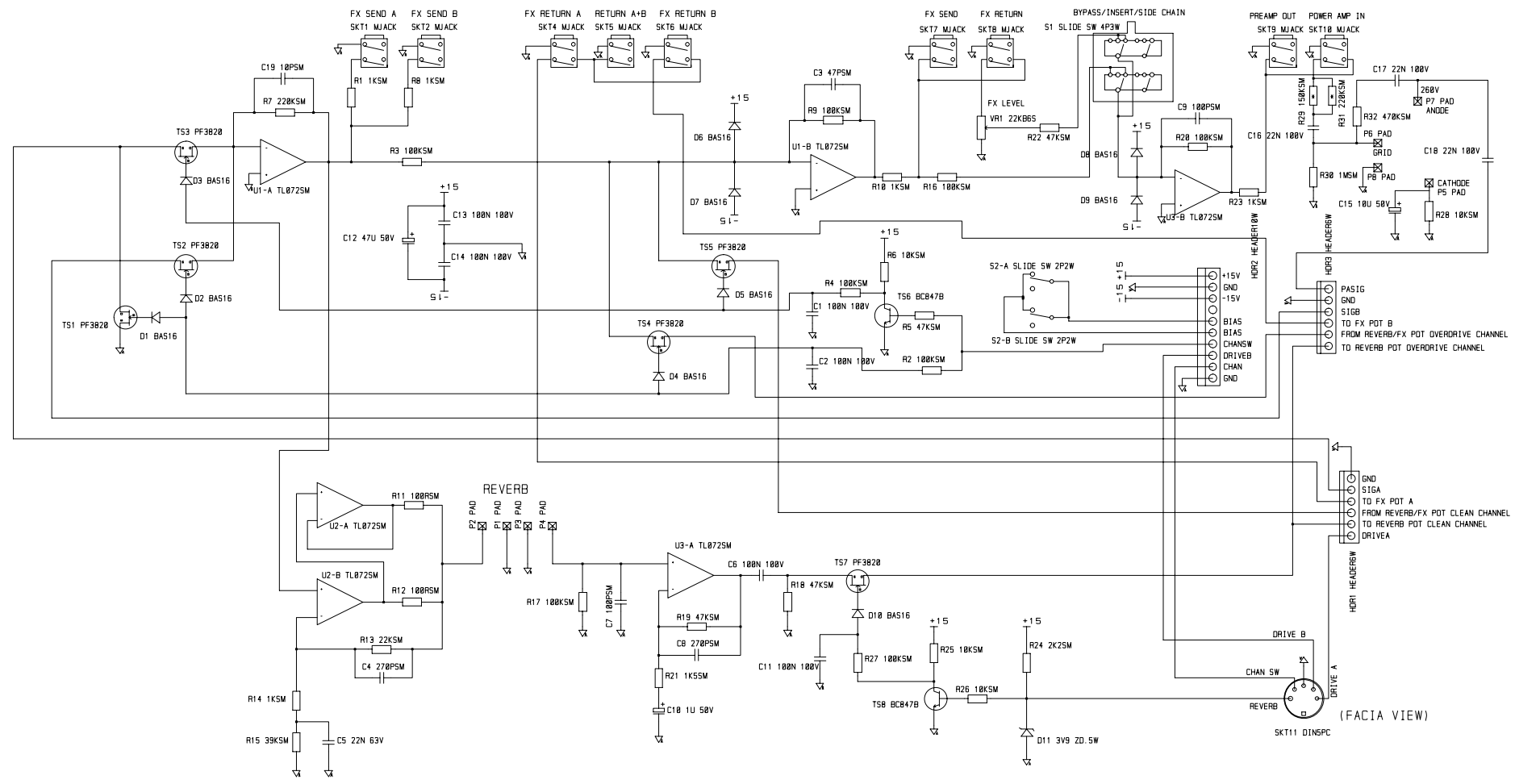
DRAWN	TRACED	CHECKED	APPROVED	DATE
S.L.				26/4/95
DRAWING No.			2385	



DRAWN	DEH
DATE	25/07/95
TITLE	4 CHANNEL VALVE AMP CLEAN CHANNEL
DRW. NO.	9078-4

ISSUE	C19/20 2U2 ADDED 26/07/95 R23/30 10K 1W CF TO 5W WW FP 26/07/95						
TYPE							

*Note R50 not fitted on 50W models
R51 not fitted on 100W models



DRAWN	DEH
DATE	25/07/95
TITLE	4 CHANNEL VALVE AMP FX MODULE
DRW. NO.	9086_4

ISSUE	C19 ADDED 19/04/95 R13 47K TO 22K 19/04/95
-------	---

TYPE	
------	--

VH100R SPARE PARTS LIST

Laney

Model No. VH100R				
SPARES ITEM		DESCRIPTION		PART No.
Mains Transformer	110V	VH100R TI-037581 110-120V Mains		006085
	120V	VH100R TI-037581 110-120V Mains		006085
	230V	VH100R TI-037580 230V Mains		006091
Output Transformer	Output TX 100W			006011
Reverb Unit	Large Reverb Unit			10021
Switch	Power	10A Illuminated Rocker Sw		005541
	Standby	10A Black Rocker Sw		005542
	Res.	SPST Mini Rocker		005560
	Volume	SPST Mini Rocker		005560
	Drive	SPST Mini Rocker		005560
	Channel	SPST Mini Rocker		005560
	Bright	5A DPDT Rocker Switch		530027
Mains Fuse	110-120V	T5A Spiral wound 20mm		005531
	220-240V	T2A Spiral wound 20mm		005526
Corner	Front	Stainless Steel		10049
	Back	Stainless Steel		10048
Jack Sockets	1/4 Jack Socket - Mono - Gold			005096
	1/4 Jack Socket PCB Mount			005002
PCB's	9079	VH100R Overdrive PCB Complete		60009
	Pots	VR1/2/3/4	1M Log 6mm Spline	004070
		VR5/7/8/9	22K Lin 6mm Spline	004061
		VR6	220K Lin 6mm Spline	004065
	9078	VH100R Clean Channel PCB Complete		60007
	Pots	VR1/2/3	1M Log 6mm Spline	004070
		VR4	220K Log 6mm Spline	004078
		VR5/7/8	22K Lin 6mm Spline	004061
		VR6	220K Lin 6mm Spline	004065
	9086	VH100R Fx Loop PCB Complete		60008
Pots	VR1	220K Lin 6mm Spline	004065	
Switch	Insert	4P3W Slide Switch		530023
	Bias	2P2W Slide Switch		005610
Badge	Large Laney Badge			10056
Fascia Panel	VH100R Fascia			8M-8523
Control Knob	General	Small Chicken Head		005628
	Ret. Level	P670-90F Spline (Round with Whie Line)		005625
Handle	Leather Strap Handle			10101
Mains Inlet Socket	MSI Mains Inlet Socket			005540
HT Fuse Carrier	HT Fuse Carrier			005502
HT Fuse	T1A Spiral wound 20mm			005530
Tubes	1	EL34B STR Tube OEM Matched Set		005091
	2	ECC83 Hi-Grade		005570
	3	ECC83 STD		005548
Tube Base	1	Ceramic Base socket B9A		005577
	2	Octal Valve Base S8C		005545
Mains Lead	Country Dependant			
Foot Switch	Foot Switch			FS4
Foot Switch Jack Socket	5 Way Din Socket			005016
Phono sockets	Phono Socket Single Skeleton			005081
Feet	Screw-on Rubber Feet			10059
Cabinet	VH100R Carcase plus fittings			80003
Choke	Choke			006013
Surge Guard	SCK20-10-8A			003031
Capacitor	100UF 500V Electrolytic Capacitor			002032
Manual	VH100R User Manual			007179