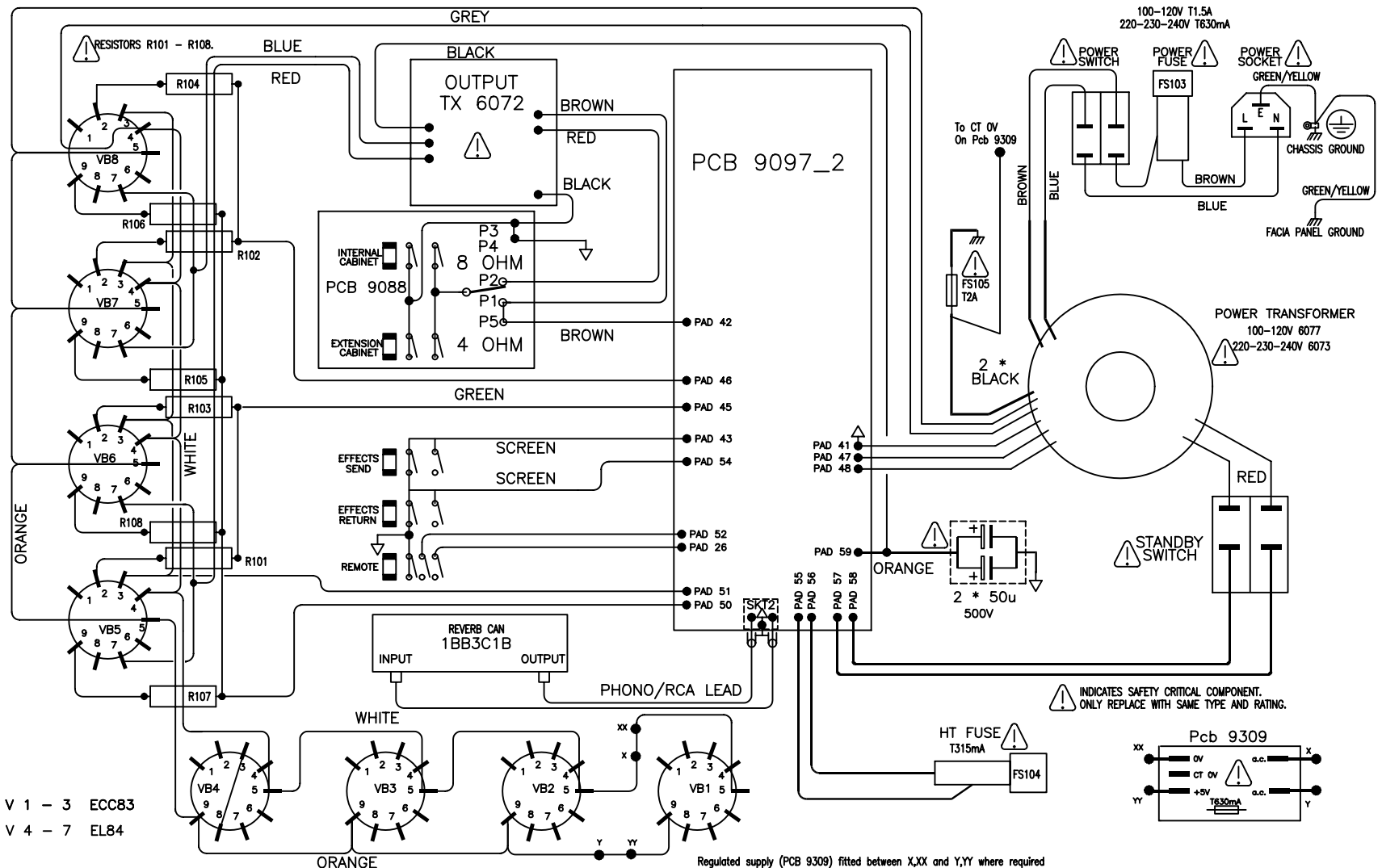


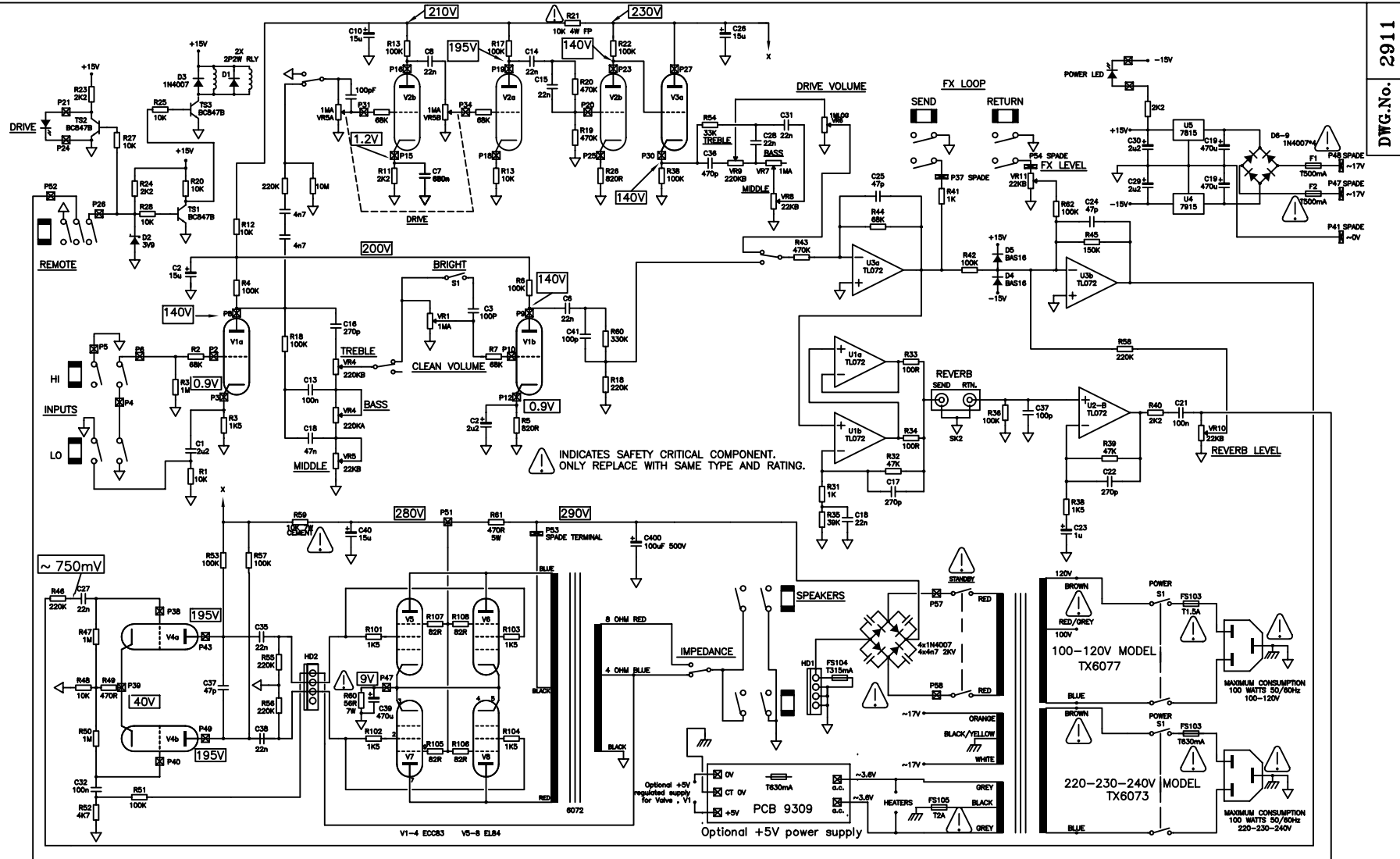
# Laney

**Service Diagrams**



V 1 - 3 ECC83  
V 4 - 7 EL84

ISSUE	DESCRIPTION	APPD.	DATE	TITLE	DRAWN	TRACED	CHECKED	APPROVED	DATE
				LC30 - SII SERVICE DIAGRAM	R.J.F.				15/01/99
DRAWING No.							2910		
<h1>BLT</h1> <p>Industries Ltd.</p>									
PART No									

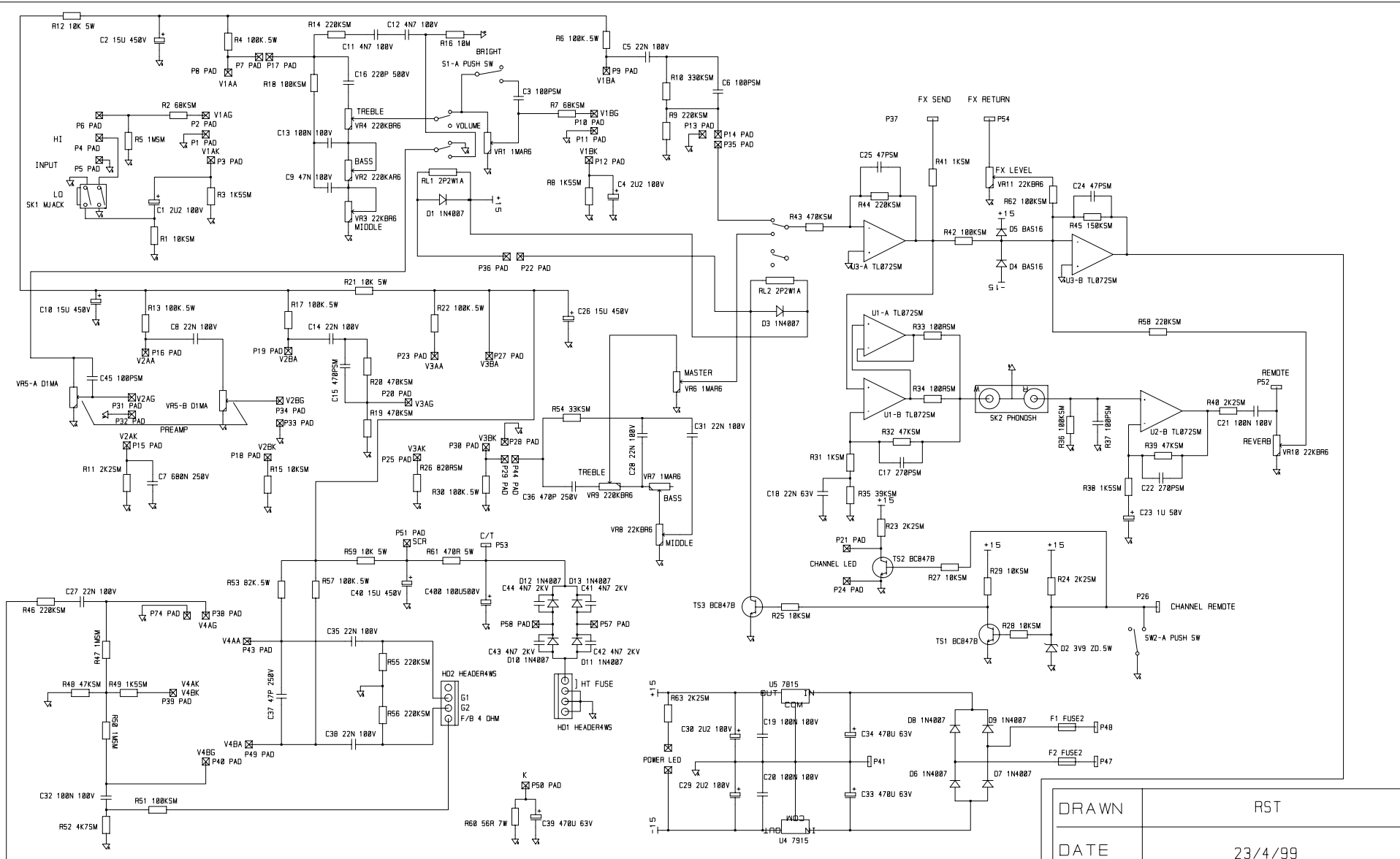


ISSUE	DESCRIPTION	APPD. DATE
ISSUE 3	PHYSICAL LAYOUT CHANGES TO TIDY BOARD/MAKE BUILD EASIER.	RST 28/4/99

**BLT**  
Industries Ltd.

TITLE
LC30 - SII CIRCUIT PART No

DRAWN	TRACED	CHECKED	APPROVED	DATE
S.L.				27/4/99
DRAWING No.			2911	



DRAWN	RST
DATE	23/4/99
TITLE	LC30 SII MAIN BOARD
DRW. NO.	9097_3

ISSUE	ISSUE 2	ISSUE 3					
TYPE		BUILD CHANGES ONLY REFER TO CHANGE NOTE 216					



Product	Description	Quantity
LC30-IIUS	LC30-II 115V	
-007353	LC30-SII 115V	1.0000
-001205	68K .5W 1% RESISTOR	2.0000
-001402	1K5 1W RESISTOR	4.0000
-001503	82R 2.5W RESISTOR	4.0000
-003009A	5mm LED CLIP	2.0000
-005005	NEW TYPE MAINS SOCKET-UL	1.0000
-005102	T315ma 20mm FUSE	1.0000
-005501	20mm FUSE INSERT	1.0000
-005502	1 1/4" FUSE CARRIER	1.0000
-005510	3MM SOLDER TAG	1.0000
-005511	5MM SOLDER TAG	1.0000
-005512	6mm SOLDER TAG	2.0000
-005519	20MM T1.5A FUSE	1.0000
-005526	20mm T2A FUSE	1.0000
-005536	LARGE GRIPPACLIP	3.0000
-005546	B9A VALVE BASE	4.0000
-005548	ECC83 VALVE STANDARD	3.0000
-005558	100mm TIE WRAP	30.0000
-005562	EL84 (SOVTEC)	4.0000
-005567	B9A SCREEN CAN	4.0000
-005570	ECC83 VALVE HIGHGRADE SPECIAL	1.0000
-005575	EL84 WIRE & RING	4.0000
-005577	B9A CHASSIS SOCKET	4.0000
-005620	22mm SHORTY BUSH	2.0000
-005628	SMALL CHICKEN HEAD KNOB	11.0000
-005633	6mm BLACK NYLON BUSH	2.0000
-005639	HEX PILLAR LC30/LC50	3.0000
-006072	VC30/LC30 OUTPUT TX	1.0000
-008618	LC30 ASSY PCB 9097	1.0000
-001048	10M .25W RESISTOR	1.0000
-001206	82K .5W RESISTOR	1.0000
-001207	100K .5W 1% RESISTOR	7.0000
-001300	ORO SHORTING LINK	8.0000
-001303	100R 5% RESISTOR	2.0000
-001304	820R 5% RESISTOR	1.0000
-001305	2K2 5% RESISTOR	4.0000
-001306	10K 5% RESISTOR	6.0000
-001308	68K 5% RESISTOR SMD1206	2.0000
-001309	1M 5% RESISTOR	3.0000
-001310	100K 5% RESISTOR	5.0000
-001312	4K7 5% RESISTOR	2.0000
-001315	47K 5% RESISTOR	3.0000
-001317	39K 5% RESISTOR	1.0000
-001327	1K 5% RESISTOR	2.0000
-001330	220K 5% RESISTOR	7.0000
-001331	33K 5% RESISTOR	1.0000
-001332	330K 5% RESISTOR	1.0000
-001334	150K 5% RESISTOR	1.0000
-001335	1K5 5% RESISTOR	4.0000
-001336	470K 5% RESISTOR	3.0000
-001700	470R 5W RESISTOR	1.0000
-001707	56R 5W RESISTOR	1.0000
-001714	10K 5W CEMENT RESISTOR	3.0000
-001920	ZERO OHM RESISTOR	2.0000
-002001	47uF 450V AXIAL	1.0000
-002002	15UF 400V AXIAL	3.0000
-002012	470UF 63V RADIAL	3.0000
-002015	10uF 400V RADIAL	3.0000
-002024	2.2UF 63V RADIAL	4.0000
-002025	1UF 63V RADIAL	1.0000
-002032	100UF 500V (2010)	1.0000
-002204	680NF 250V 22.9mm	1.0000
-002400	100NF 250V 10MM	5.0000
-002401	22NF 400V 10MM	9.0000
-002403	47NF 250V 10MM	1.0000
-002417	4.7NF 100V 5mm	2.0000
-002420	22NF 100V 5mm	1.0000
-002602	47PF 50V 10% COG	2.0000
-002603	100PF 50V 10% COG	4.0000
-002604	270PF 50V 10% COG	2.0000
-002605	470PF 50V 10% COG	1.0000
-002801	220PF 250V CERAMIC	1.0000
-002804	4N7 1000V CERAMIC	4.0000
-002814	470PF 250V CERAMIC	1.0000
-002818	47PF 500V CERAMIC	1.0000
-003000	1N4007 DIODE	10.0000
-003007	3V9 .5W ZENER DIODE	1.0000
-003009	5mm RED LED	1.0000
-003012	5mm GREEN LED	1.0000
-003500	BAS16 DIODE	2.0000
-003503	BC847B TRANSISTOR	3.0000
-003508	34072 IC (SMD TL072)	3.0000
-003901	7815 IC VOLT'REGULATOR	1.0000
-003902	7915 IC VOLT'REGULATOR	1.0000
-004074	6mm 220K LOG POT	1.0000
-004076	6mm 1M LOG DUAL	1.0000
-004096	6mm 1M LOG POT	3.0000
-004097	6mm 22K LIN POT	4.0000
-004098	6mm 220K LIN POT	2.0000
-005009	SINGLE TERMINAL PIN	31.0000
-005017	2P 2W PUSH SWITCH	2.0000
-005022	PCB FUSE CARRIER	2.0000
-005096	MONO JACK SOCKET-GOLD	2.0000
-005503	7.5mm ROUND BLACK BUTTON	2.0000
-005566	20mm T500ma FUSE(UL)	2.0000
-005605	2A 12V RELAY	2.0000
-005613	PCB CON BLOCK 4 WAY	3.0000
-005622	DUAL PHONO SOCKET	1.0000

Product	Description	Quantity
005686	4.8MM TERMINAL SPADE	8.0000
009097	LC30 PCB	1.0000
009971	SOLDER COST @.75	1.0000
008628	VC50 SPEAKER JACK	1.0000
005002	MONO JACK SOCKET	2.0000
005009	SINGLE TERMINAL PIN	5.0000
005554	10A SLIDE SWITCH PC MOUNT	1.0000
009088	VC50 SPEAKER JACK	1.0000
008837	LC FX SOCKET	1.0000
005003	STEREO JACK SOCKET	1.0000
10004	MONO JACK SOCKET	2.0000
009151	3mm INT SHAKEPROOF	1.0000
009160	4mm HEX NUT	4.0000
009161	4mm INT. SHAKEPROOF	10.0000
009162	4*12mm PAN POZI	4.0000
009171	M5 INT SHAKEPROOF WASHER	4.0000
009173	5*12mm PAN POZI ZINC	1.0000
009174	2BA NYLOC NUT	1.0000
009175	M6 HEX NUT ZINC ONLY	1.0000
009179	2BA * 1/2 PAN POZI	1.0000
009181	5mm BRASS HEX NUT	1.0000
009184	NO6 * 3/8 SELF TAP	6.0000
009185	5mm PLAIN NATURAL RIVET	18.0000
009187	NO.8 SPIRE FASTENER	3.0000
009189	5mm CAGE NUT	8.0000
009215	6x60mm SKT.CAP SCREW	1.0000
009229	8*3/8 FH POZI	3.0000
009233	POP RIVET 4*7	1.0000
10004	MONO JACK SOCKET	1.0000
530027	DPST EQ MAINS SWITCH	2.0000
540024	20mm FUSE CARRIER	1.0000
540030	T2A FUSE LABEL	1.0000
540037	FLASH SYMBOL WARNING LABEL	1.0000
540038	EARTH WARNING LABEL	1.0000
541004	HC25/50 4.8 FASTON	5.0000
584062	6MM FLAT TX WASHER ZINC	2.0000
588006	POP RIVET (BLACK)	2.0000
8P-8803	LC30 FACIA SERIES II	1.0000
79090	COLD ROLLED STEEL/1Mx0.75Mx1.6MM	0.1250
8M-8803	LC30-II Facia	1.0000
8CP-8803	LC30 FACIA	1.0000
8SP-8803	LC30 FACIA	1.0000
8P-8805	LC30 CHASSIS	1.0000
79020	ZINTEC SHEET/1Mx0.65Mx1.6MM	0.5000
8M-8805	LC30-II Chassis	1.0000
8PC-8805	LC30 CHASSIS	1.0000
8SP-8805	LC30 CHASSIS	1.0000
8T-6077A	LC30-II 115V MAINS TX + CRIMPS	1.0000
8T-6073	VC30/GC30V MAINS	1.0000
008004	HI-POT LABEL	1.0000
71001	CORE 6021/27/52	1.1000
72005	COPPER WIRE 1.32 DIA	0.0960
72007	COPPER WIRE 0.4 DIA	0.3470
73000	POLYESTER MYLAR 13MM	40.0000
73002	CLEAR ADHESIVE TAPE	3.0000
73006	100MM CABLE TIES	1.0000
74020	1.5 BLACK SLEEVING	0.2500
74021	1.5 BROWN SLEEVING	0.2500
74023	1.5 BLUE SLEEVING	0.2500
74024	1.5 RED SLEEVING	0.5000
74025	1.5 YELLOW SLEEVING	0.2500
74026	1.5 WHITE SLEEVING	0.2500
74027	1.5 ORANGE SLEEVING	0.2500
75003	90MM x 3MM THICK	1.0000
75004	POTTING COMPOUND	0.2000
75010	3.5*1.5 AVERY LABEL	1.0000
74070	10mm BLACK SLEEVING	0.0800
74075	12mm BLACK SLEEVING	0.0700
74042	2.0 GREY SLEEVING	0.3500
74040	2.0 BLACK SLEEVING	0.3800
541004	HC25/50 4.8 FASTON	4.0000
10702	SPECIAL MAINS LEAD	1.0000
10915	LC30/50 USER MANUAL	1.0000
20457	LC30-SII CABINET	1.0000
005536	LARGE GRIPPACLIP	2.0000
009170	5mm HEX NUT	4.0000
10002	SMALL REVERB BAG	1.0000
10003	OUTWORK ASSY REVERB BAG COST	1.0000
10316	GRANITE VYNHYDE-BLACK	0.0751
10007	PHONO/PHONO LEAD	1.0000
10008	2 SPRING REVERB SMALL	1.0000
10048	BACK CHROME CORNER	6.0000
10055	PLASTIC CABINET FOOT	4.0000
10057	SMALL LANEY BADGE	1.0000
10100	STRAP HANDLE	1.0000
10100/NK	NICKEL END CAP	2.0000
10112	ANGLE JACK LEAD	1.0000
10200	M5 x 10mm TEENUT	2.0000
10202	5MM x 25MM CSK POZI SCREW	2.0000
10211	SPEAKER BOLT	4.0000
10221	30mm FINISHED NAIL	11.0000
10224	35mm FINISHED NAIL	17.0000
10225	STAPLE 97/12	12.0000
10226	STAPLE 71/6	70.0000
10231	No8x1/2" FLANGE POZI	2.0000
10233	M5*30 FLANGE POZI BK	8.0000
10240	10 * 1 CSK POZI	4.0000
10245	No4*1/2 CSK POZI	2.0000
10246	No10*1/2 FLANGE POZI	4.0000
10247	No8*1/2 FLANGE POZI	12.0000
10248	NO10 * 1 1/4" FLANGE	2.0000

Product	Description	Quantity
-10249	NO 8*1 1/2 CSK POZI	7.0000
-10302	25mm X 25mm PAR	1.5000
-10308	GREY FRONTFRET	0.4000
-10312	15mm PLYWOOD	0.5000
-10318	BASKETWEAVE	0.7000
-10420	TF300/4/5 CARTON 30546	1.0000
-10424	TF300/TF4/5 INSERT 30549	1.0000
-10600	32/18 STAPLE	12.0000
-10622	POLY BAG 48(0) X 48	1.0000
-10629	MASKING TAPE 1.5"	2.0000
-10897	100mm ETHAFOAM CORNER	6.0000
-10981	GLUE/PAINT COST 1.25	1.0000
-51200	70 EIGHTY 8 OHM	1.0000
-8G-LC30	528*233	1.0000
-8M-LC30	LC30/50 Series II Mesh	1.0000
-8PCG-LC30	POWDER COAT	1.0000