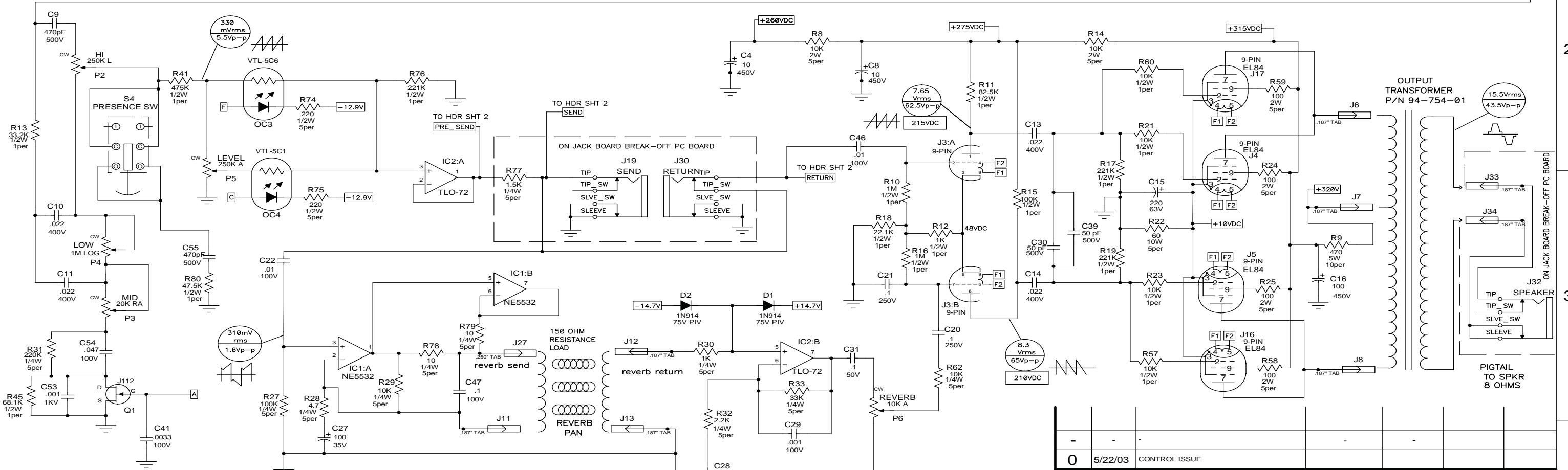
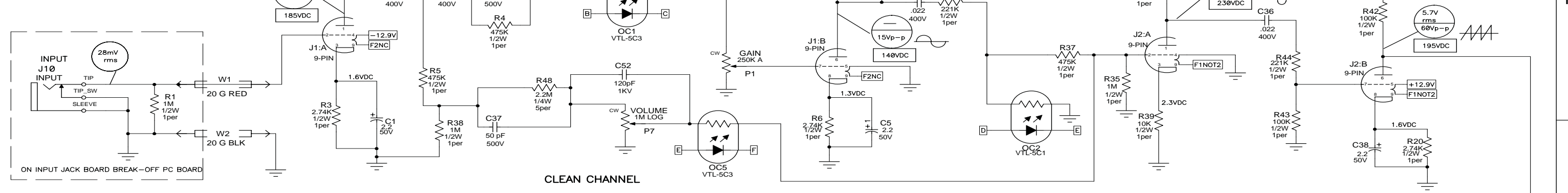


**NOTE: TEST POINT CONDITIONS**  
 LINE: 120 Vrms. SPEAKER LOAD: 8 OHM RESISTANCE  
 REVERB SEND LOAD: 150 OHM RESISTANCE  
 INPUT : 28mVrms @ 500HZ.  
 VOLTAGES: ALL DC VOLTAGES MEASURED WITH  
 "NO SIGNAL INPUT".  
 SETTINGS: GAIN & EQ @ '5', REVERB @ '0',  
 LEVELS @ '10', PRESENCE & BOOST = 'OFF'



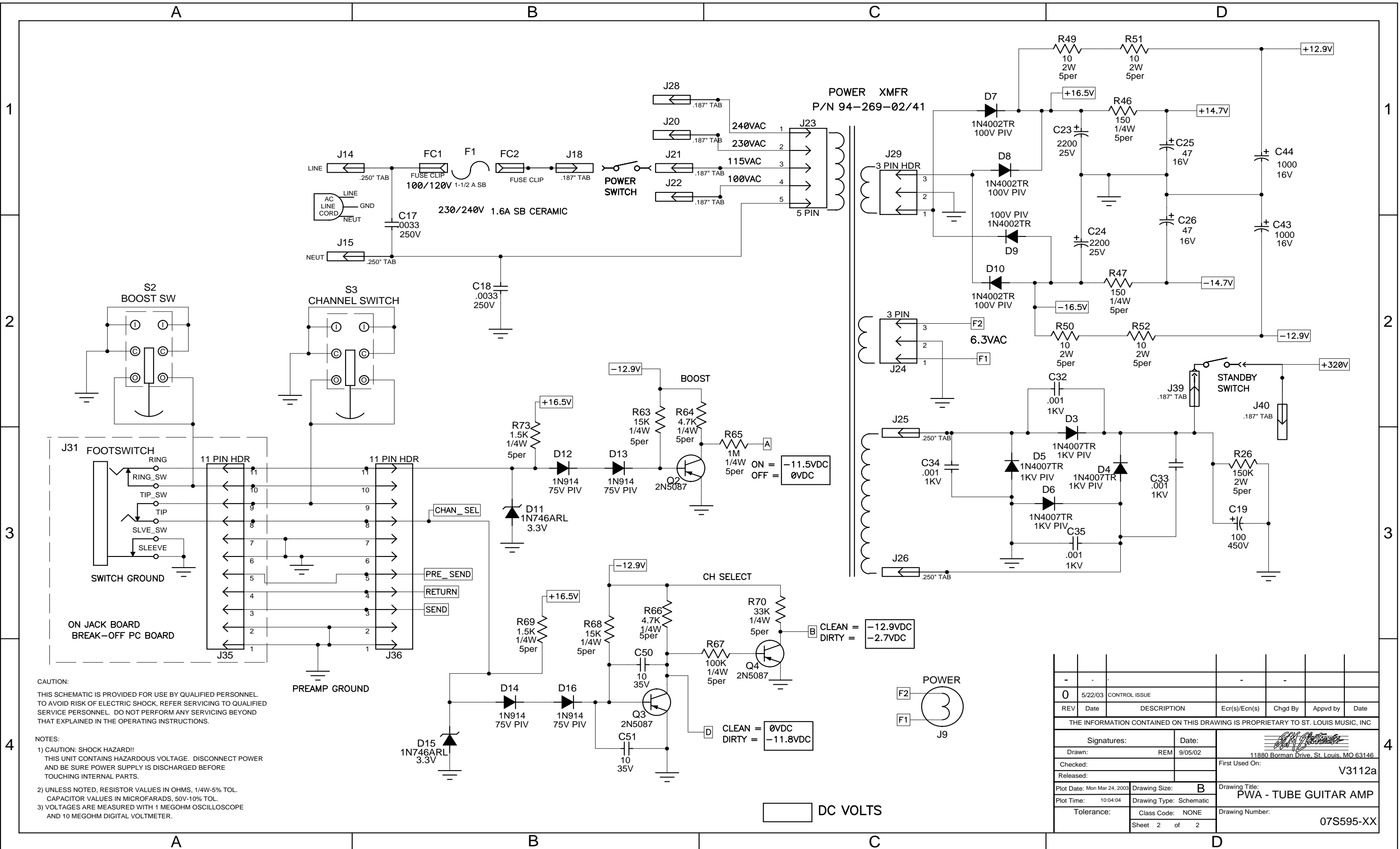
**CAUTION:**  
 THIS SCHEMATIC IS PROVIDED FOR USE BY QUALIFIED PERSONNEL.  
 TO AVOID RISK OF ELECTRIC SHOCK, REFER SERVICING TO QUALIFIED  
 SERVICE PERSONNEL. DO NOT PERFORM ANY SERVICING BEYOND  
 THAT EXPLAINED IN THE OPERATING INSTRUCTIONS.

**NOTES:**  
 1) CAUTION: SHOCK HAZARD!!  
 THIS UNIT CONTAINS HAZARDOUS VOLTAGE. DISCONNECT POWER  
 AND BE SURE POWER SUPPLY IS DISCHARGED BEFORE  
 TOUCHING INTERNAL PARTS.  
 2) UNLESS NOTED, RESISTOR VALUES IN OHMS, 1/4W-5% TOL.  
 CAPACITOR VALUES IN MICROFARADS, 50V-10% TOL.  
 3) VOLTAGES ARE MEASURED WITH 1 MEGOHM OSCILLOSCOPE  
 AND 10 MEGOHM DIGITAL VOLTMETER.

NOTE: NOT SPLIT TEST POINT BUBBLE = CLEAN & DIRTY  
 NOTE: SPLIT TEST POINT BUBBLE  
 CLEAN=TOP RMS VOLTS ( NO WAVE FORM )  
 DIRTY=BOTTOM p-p VOLTS ( SEE WAVEFORM )  
 DC VOLTS

Power Table		
RefDes	+14.7V	-14.7V
IC1 & IC2	8	4


0	5/22/03	CONTROL ISSUE				
REV	Date	DESCRIPTION	Ecr(s)/Ecn(s)	Chgd By	Appvd by	Date
THE INFORMATION CONTAINED ON THIS DRAWING IS PROPRIETARY TO ST. LOUIS MUSIC, INC.						
Signatures:		Date:		11880 Borman Drive, St. Louis, MO 63146		
Drawn: REM		9/05/02		First Used On: V3112a		
Checked:				Drawing Title: PWA - TUBE GUITAR AMP		
Released:				Drawing Number: 07S595-XX		
Plot Date: Mon Mar 24, 2003		Drawing Size: C		Tolerance:		
Plot Time: 10:04:03		Drawing Type: Schematic		Sheet 1 of 2		



CAUTION:  
THIS SCHEMATIC IS PROVIDED FOR USE BY QUALIFIED PERSONNEL.  
TO AVOID RISK OF ELECTRIC SHOCK, REFER SERVICING TO QUALIFIED  
SERVICE PERSONNEL. DO NOT PERFORM ANY SERVICING BEYOND  
THAT EXPLAINED IN THE OPERATING INSTRUCTIONS.

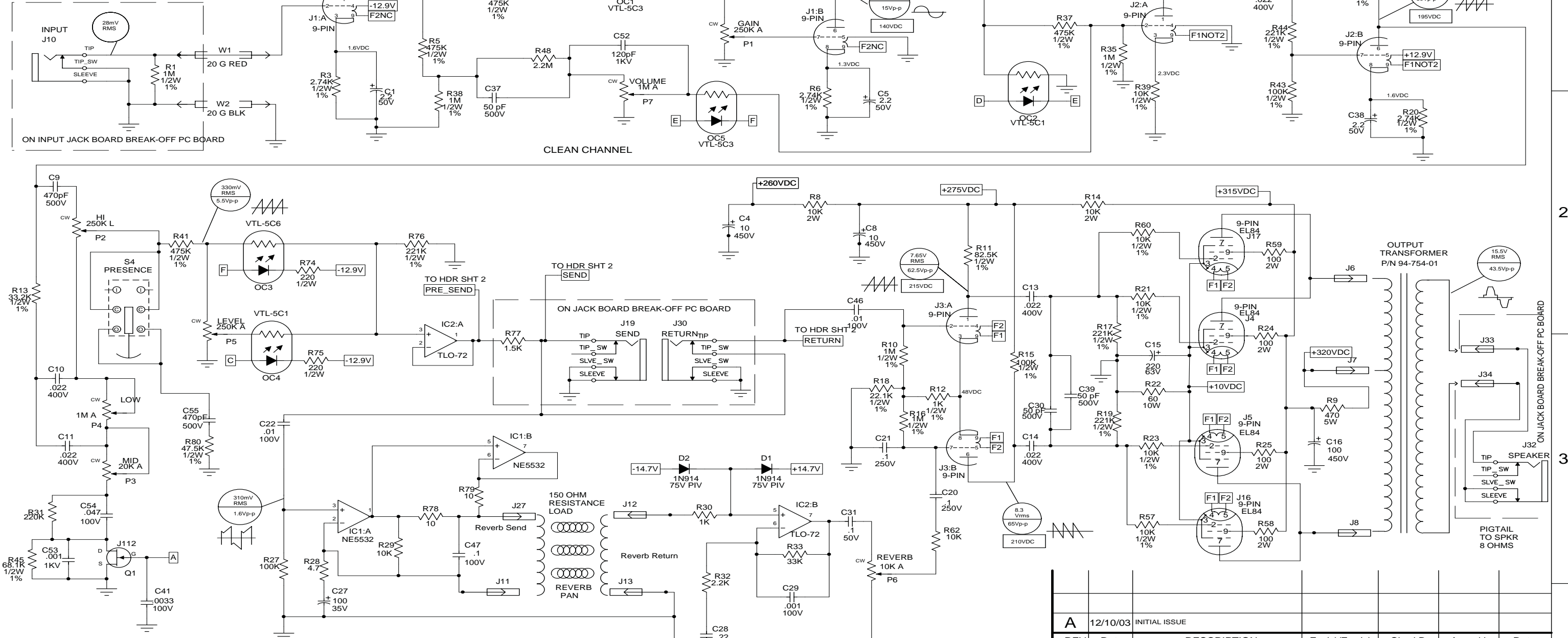
- NOTES:
- 1) CAUTION: SHOCK HAZARD!!  
THIS UNIT CONTAINS HAZARDOUS VOLTAGE. DISCONNECT POWER  
AND BE SURE POWER SUPPLY IS DISCHARGED BEFORE  
TOUCHING INTERNAL PARTS.
  - 2) UNLESS NOTED, RESISTOR VALUES IN OHMS, 1/4W-5% TOL.  
CAPACITOR VALUES IN MICROFARADS, 50V-10% TOL.
  - 3) VOLTAGES ARE MEASURED WITH 1 MEGOHM OSCILLOSCOPE  
AND 10 MEGOHM DIGITAL VOLTMETER.

DC VOLTS

REV	Date	DESCRIPTION	Ecr(s)/Ecn(s)	Chgd By	Appvd by	Date
0	5/22/03	CONTROL ISSUE				
THE INFORMATION CONTAINED ON THIS DRAWING IS PROPRIETARY TO ST. LOUIS MUSIC, INC						
Signatures:		Date:		 11880 Borman Drive, St. Louis, MO 63146		
Drawn: REM		Date: 9/05/02		First Used On: V3112a		
Checked:		Released:		Plot Date: Mon Mar 24, 2003		
Plot Time: 10:04:04		Drawing Size: B		Drawing Title: PWA - TUBE GUITAR AMP		
Tolerance:		Class Code: NONE		Drawing Number: 07S595-XX		
Sheet 2 of 2						

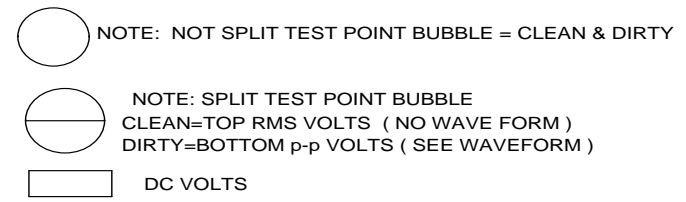
NOTE: TEST POINT CONDITIONS

LINE: 120 Vrms. SPEAKER LOAD: 8 OHM RESISTANCE  
 REVERB SEND LOAD: 150 OHM RESISTANCE  
 INPUT : 28mVrms @ 500HZ  
 VOLTAGES: ALL DC VOLTAGES MEASURED WITH  
 " NO SIGNAL INPUT"  
 SETTINGS: GAIN & EQ @ '5', REVERB @ '0',  
 LEVELS @ '10', PRESENCE & BOOST = 'OFF'



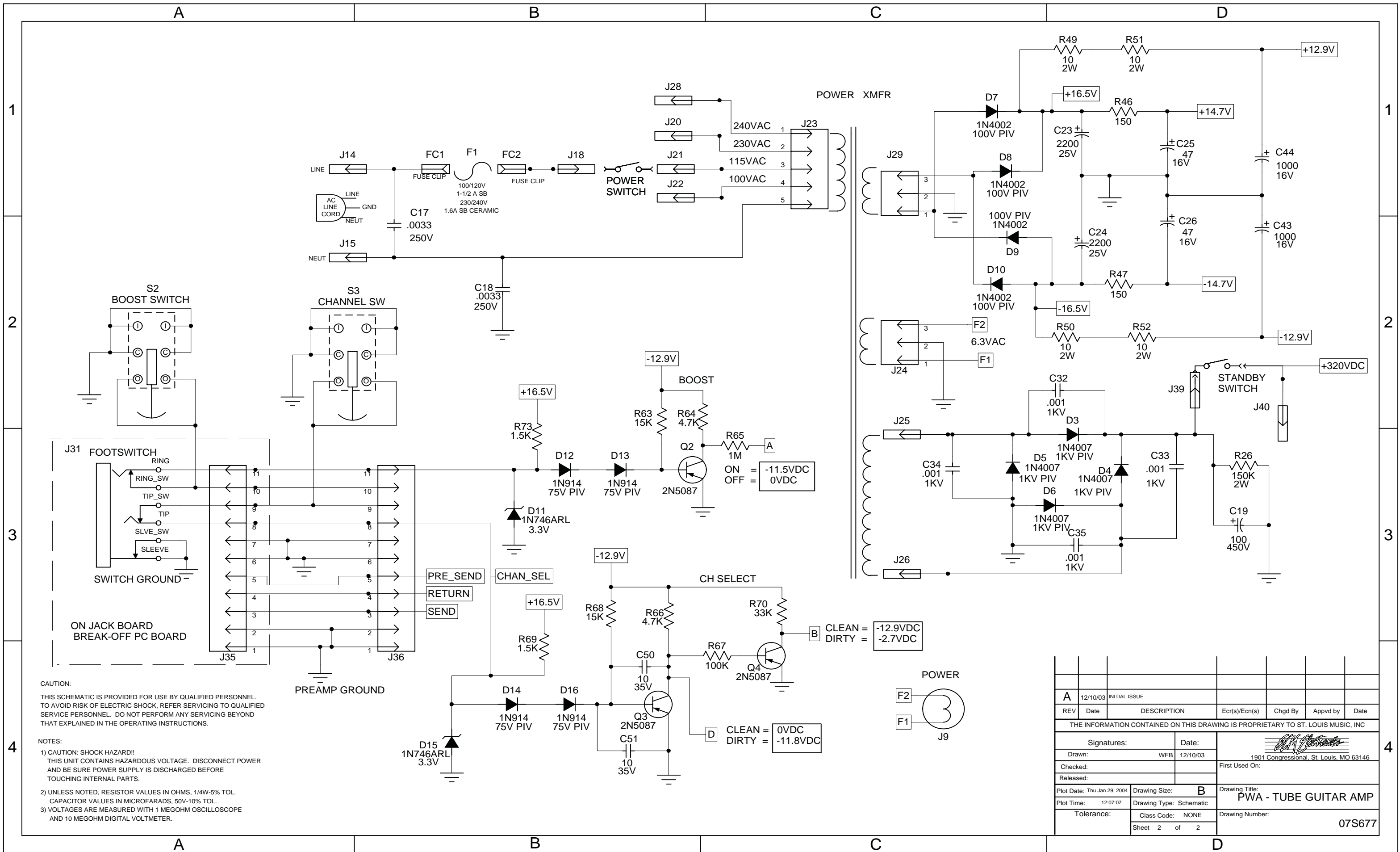
CAUTION:  
 THIS SCHEMATIC IS PROVIDED FOR USE BY QUALIFIED PERSONNEL.  
 TO AVOID RISK OF ELECTRIC SHOCK, REFER SERVICING TO QUALIFIED  
 SERVICE PERSONNEL. DO NOT PERFORM ANY SERVICING BEYOND  
 THAT EXPLAINED IN THE OPERATING INSTRUCTIONS.

- NOTES:  
 1) CAUTION: SHOCK HAZARD!!  
 THIS UNIT CONTAINS HAZARDOUS VOLTAGE. DISCONNECT POWER  
 AND BE SURE POWER SUPPLY IS DISCHARGED BEFORE  
 TOUCHING INTERNAL PARTS.  
 2) UNLESS NOTED, RESISTOR VALUES IN OHMS, 1/4W-5% TOL.  
 CAPACITOR VALUES IN MICROFARADS, 50V-10% TOL.  
 3) VOLTAGES ARE MEASURED WITH 1 MEGOHM OSCILLOSCOPE  
 AND 10 MEGOHM DIGITAL VOLTMETER.



Power Table			
RefDes	+14.7V	-14.7V	
IC1 & IC2	8	4	

A	12/10/03	INITIAL ISSUE				
REV	Date	DESCRIPTION	Ecr(s)/Ecn(s)	Chgd By	Appvd by	Date
THE INFORMATION CONTAINED ON THIS DRAWING IS PROPRIETARY TO ST. LOUIS MUSIC, INC						
Signatures:			Date:			
Drawn: WFB			12/10/03			
Checked:			First Used On:			
Released:			1901 Congressional, St. Louis, MO 63146			
Plot Date: Thu Jan 29, 2004		Drawing Size: C		Drawing Title:		
Plot Time: 12:07:06		Drawing Type: Schematic		PWA - TUBE GUITAR AMP		
Tolerance:			Class Code: NONE		Drawing Number:	
Sheet 1 of 2			07S677			



CAUTION:  
THIS SCHEMATIC IS PROVIDED FOR USE BY QUALIFIED PERSONNEL. TO AVOID RISK OF ELECTRIC SHOCK, REFER SERVICING TO QUALIFIED SERVICE PERSONNEL. DO NOT PERFORM ANY SERVICING BEYOND THAT EXPLAINED IN THE OPERATING INSTRUCTIONS.

- NOTES:
- 1) CAUTION: SHOCK HAZARD!! THIS UNIT CONTAINS HAZARDOUS VOLTAGE. DISCONNECT POWER AND BE SURE POWER SUPPLY IS DISCHARGED BEFORE TOUCHING INTERNAL PARTS.
  - 2) UNLESS NOTED, RESISTOR VALUES IN OHMS, 1/4W-5% TOL. CAPACITOR VALUES IN MICROFARADS, 50V-10% TOL.
  - 3) VOLTAGES ARE MEASURED WITH 1 MEGOHM OSCILLOSCOPE AND 10 MEGOHM DIGITAL VOLTMETER.

A	12/10/03	INITIAL ISSUE				
REV	Date	DESCRIPTION	Ecr(s)/Ecn(s)	Chgd By	Appvd by	Date
THE INFORMATION CONTAINED ON THIS DRAWING IS PROPRIETARY TO ST. LOUIS MUSIC, INC						
Signatures:		Date:				
Drawn: WFB		12/10/03		1901 Congressional, St. Louis, MO 63146		
Checked:				First Used On:		
Released:						
Plot Date: Thu Jan 29, 2004		Drawing Size: B		Drawing Title: PWA - TUBE GUITAR AMP		
Plot Time: 12:07:07		Drawing Type: Schematic				
Tolerance:		Class Code: NONE		Drawing Number: 07S677		
		Sheet 2 of 2				